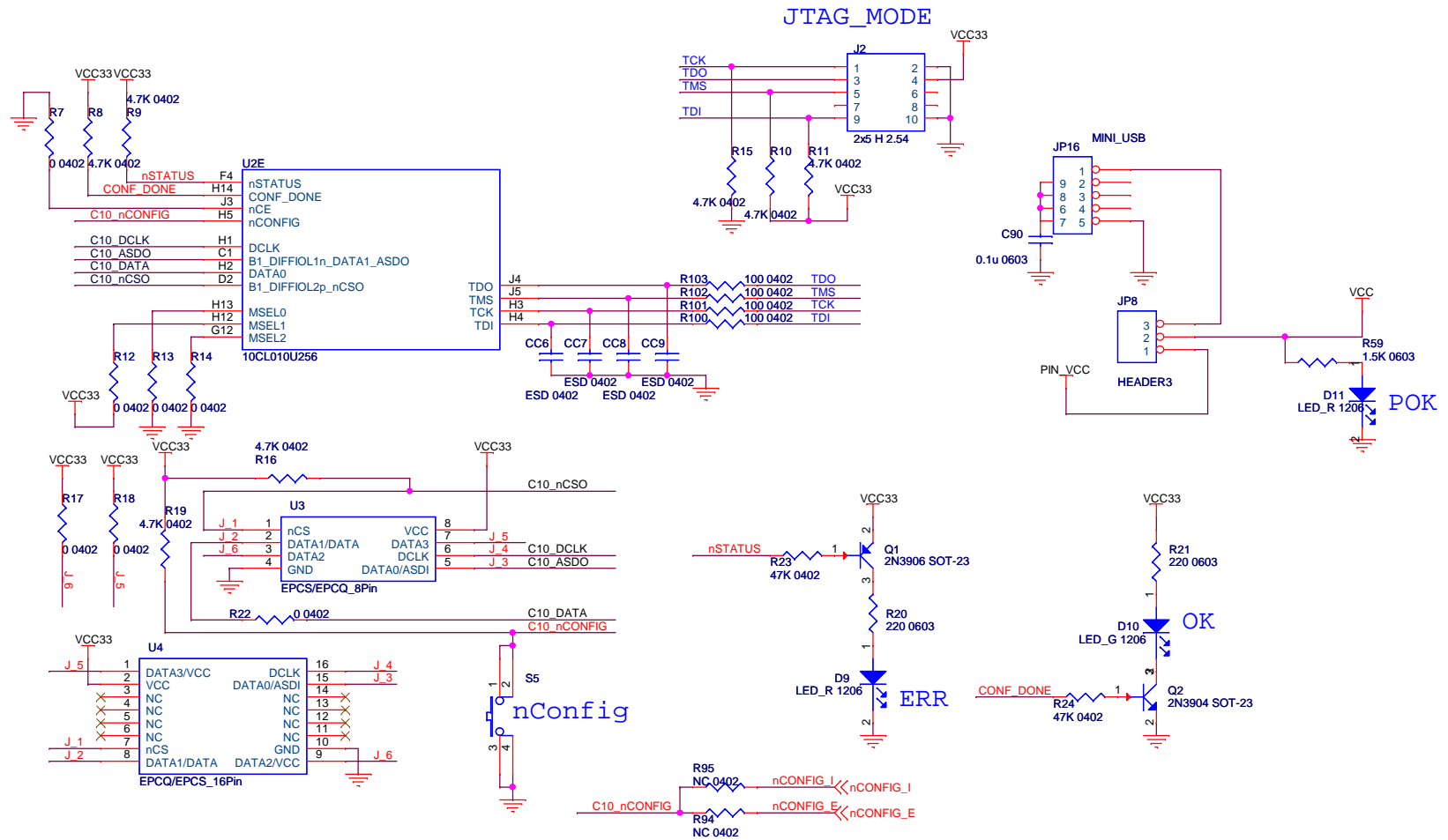
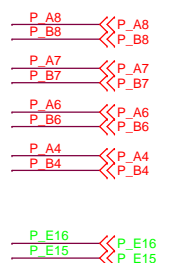
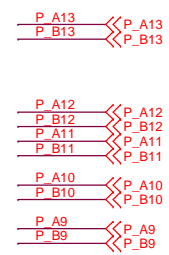
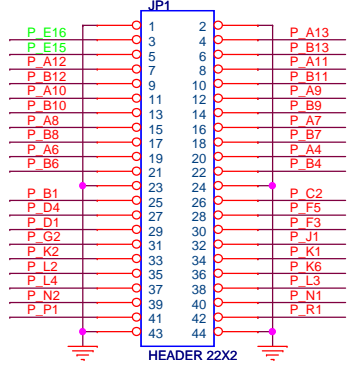
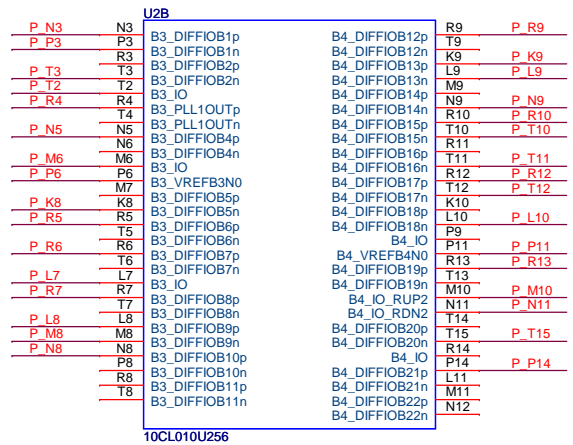
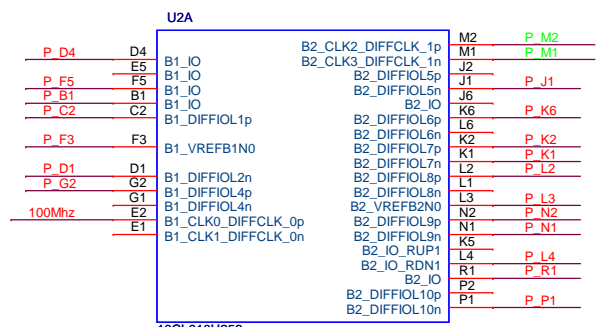


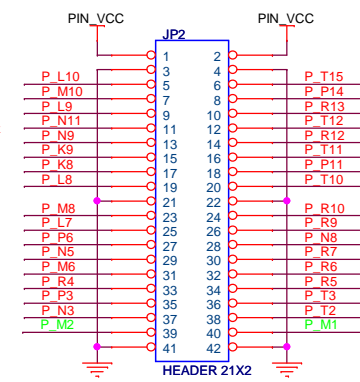
Title		
<Title>		
Size	Document Number	Rev
B	<Doc>	<RevCode>
Date:	Thursday, October 05, 2017	Sheet 1 of 9



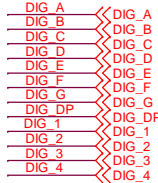
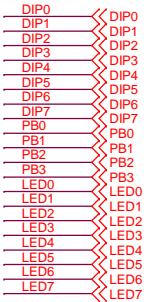
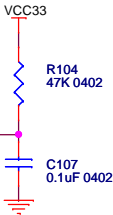
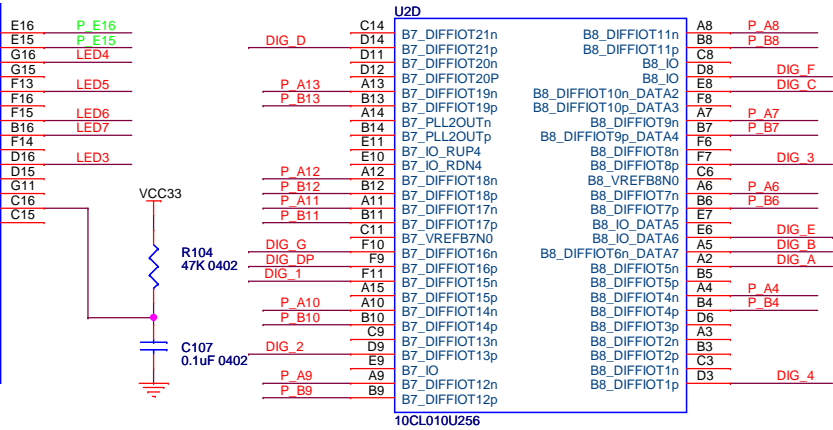
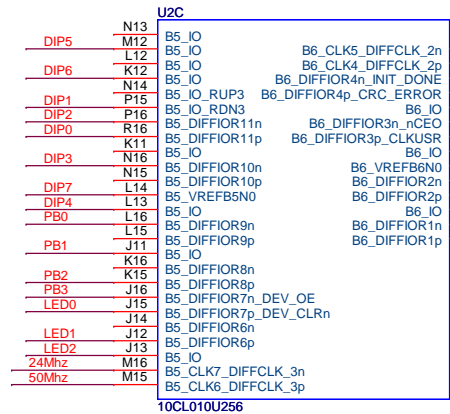
Title		<Title>
Size	Document Number	Rev
B	<Doc>	<RevCode>
Date:	Thursday, October 12, 2017	Sheet 2 of 9



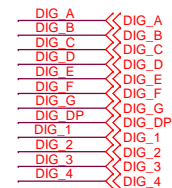
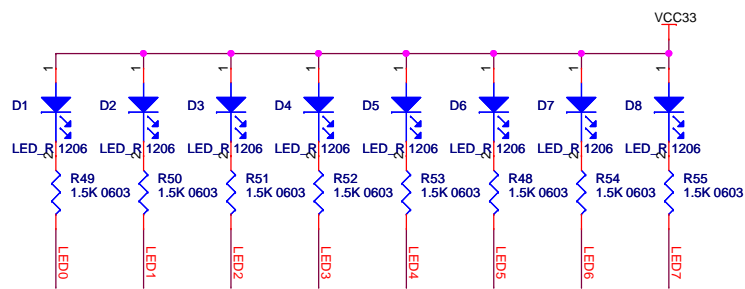
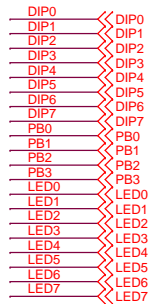
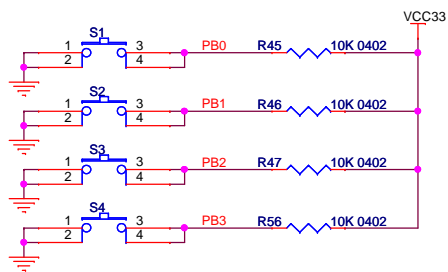
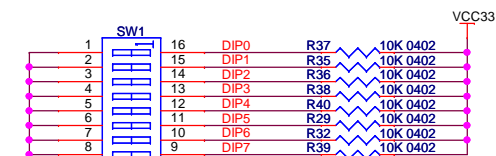
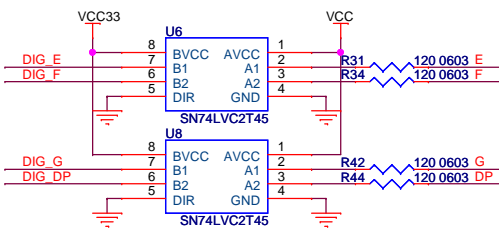
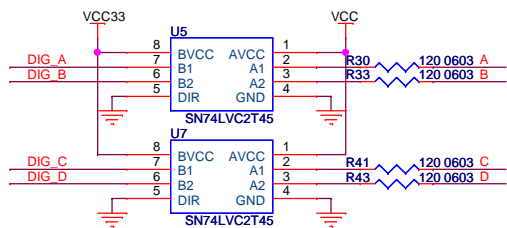
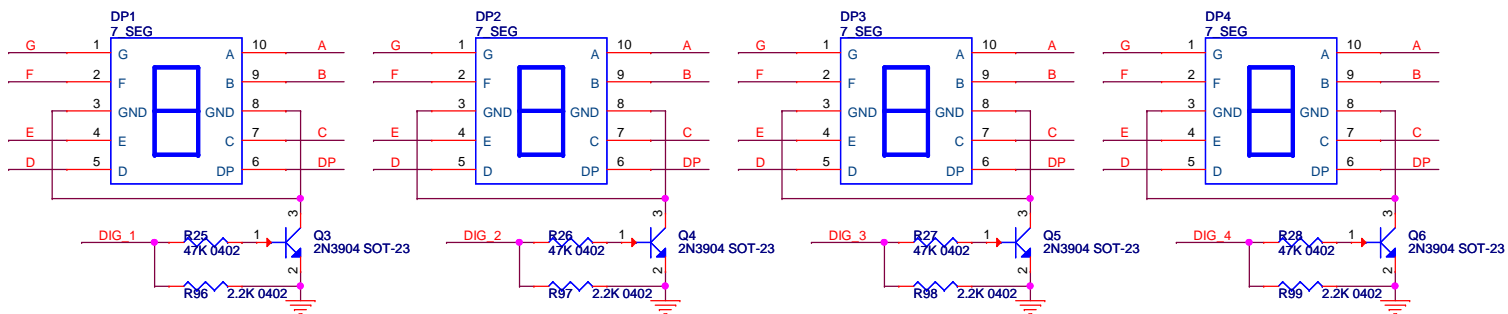
100Mhz << 100Mhz



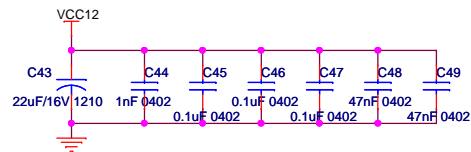
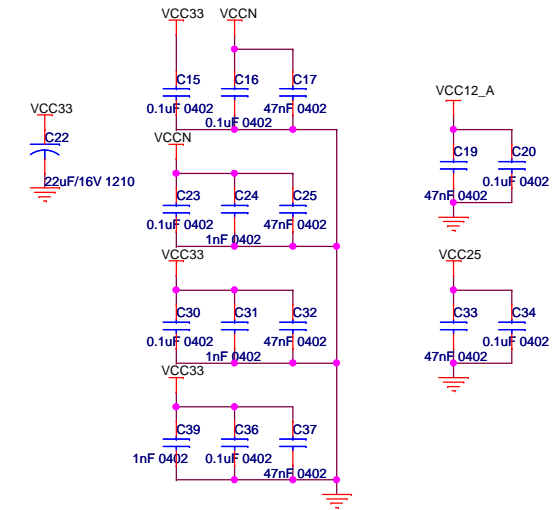
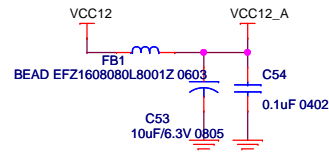
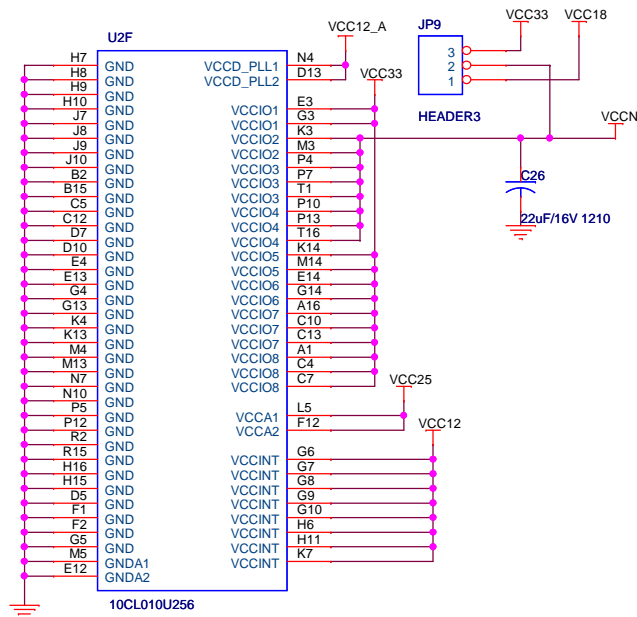
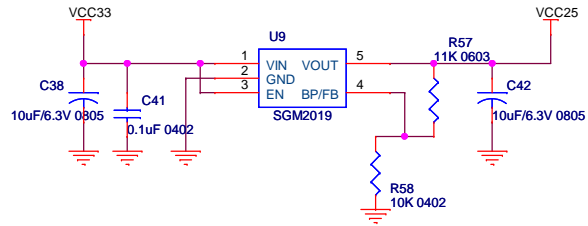
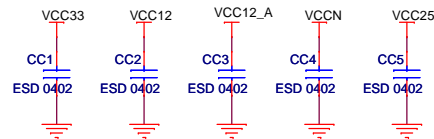
Title		<Title>
Size	Document Number	Rev
B	<Doc>	<RevCode>
Date:	Thursday, October 12, 2017	Sheet 3 of 9



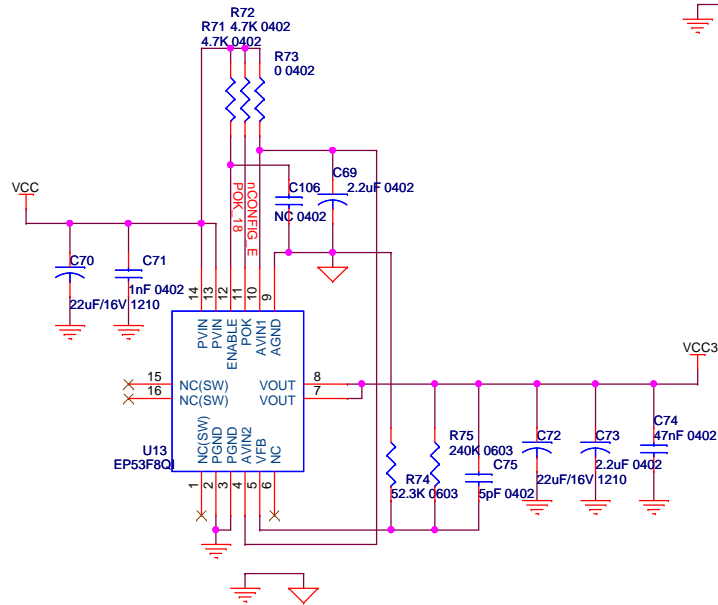
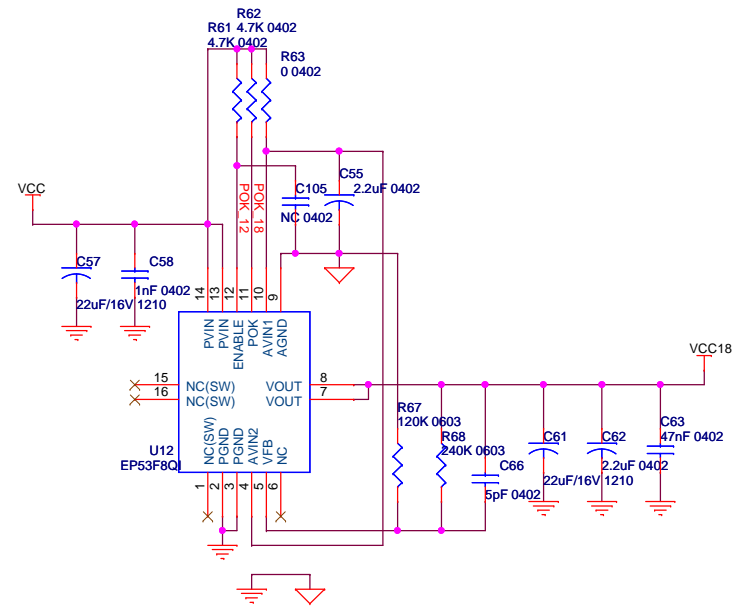
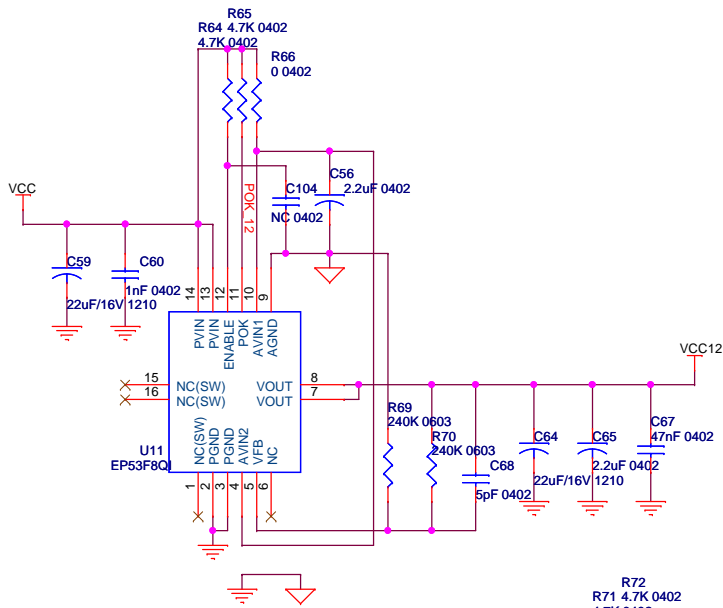
Title		
<Title>		
Size	Document Number	Rev
B	<Doc>	<RevCode>
Date:	Thursday, October 12, 2017	Sheet 4 of 9



Title		<Title>
Size	Document Number	Rev
B	<Doc>	<RevCode>
Date:	Thursday, October 12, 2017	Sheet 5 of 9

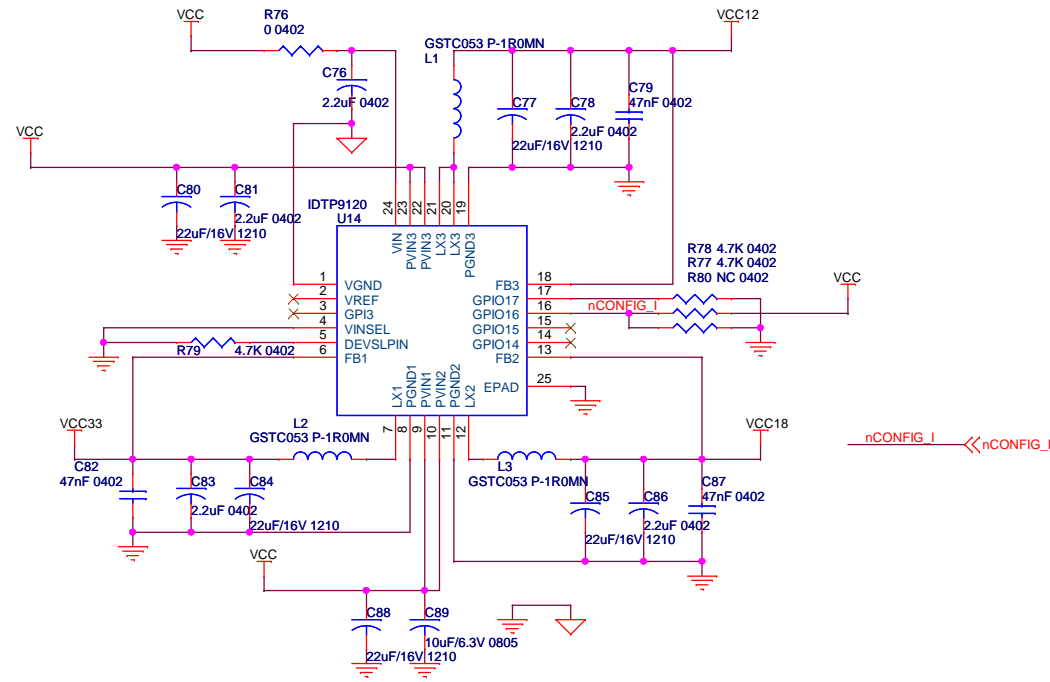


Title		
<Title>		
Size	Document Number	Rev
B	<Doc>	<RevCode>
Date:	Thursday, October 12, 2017	Sheet 6 of 9



nCONFIG\_E <<nCONFIG\_E

Title		<Title>
Size	Document Number	Rev
B	<Doc>	<RevCode>
Date:	Thursday, October 12, 2017	Sheet 7 of 9



Title		
<Title>		
Size	Document Number	Rev
B	<Doc>	<RevCode>
Date:	Friday, October 13, 2017	Sheet 8 of 9